

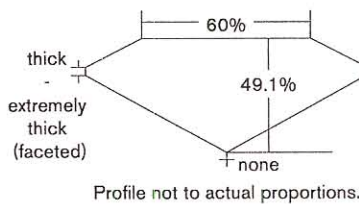
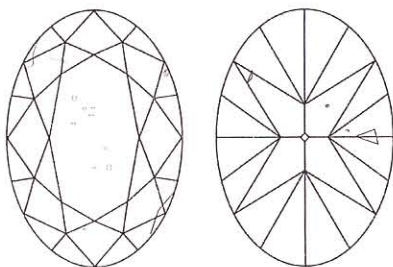
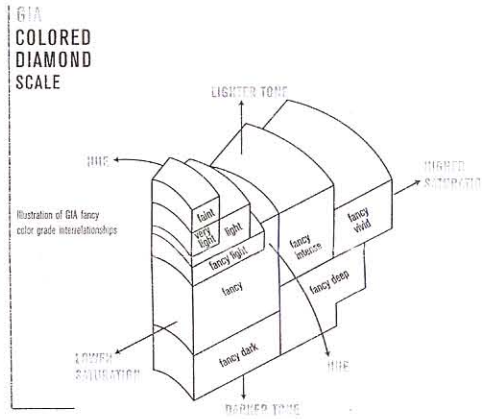
GIA REPORT 16239602

August 23, 2007

Shape and Cutting Style ..... **Oval Brilliant**  
Measurements ..... 6.42 x 4.75 x 2.33 mm

Carat Weight ..... **0.56 carat**  
Color  
Origin ..... **NATURAL**  
Grade ..... **FANCY DEEP  
BROWNISH ORANGY PINK**  
Distribution ..... **Even**  
Clarity Grade ..... **SI1**

Finish  
Polish ..... **Good**  
Symmetry ..... **Good**  
Fluorescence ..... **Medium Blue**  
Comments:  
Internal graining is not shown.  
An additional extra facet is not shown.



**KEY TO SYMBOLS**

- Crystal
- △ Extra Facet
- ▽ Feather
- ∧ Indented Natural
- ◇ Natural

Red symbols denote internal characteristics (inclusions). Green or black symbols denote external characteristics (blemishes). Diagram is an approximate representation of the diamond, and symbols shown indicate type, position, and approximate size of clarity characteristics. All clarity characteristics may not be shown. Details of finish are not shown.

This Report is not a guarantee, valuation or appraisal and contains only the characteristics of the diamond described herein after it has been graded, tested, examined and analyzed by the GIA Laboratory and/or has been inscribed using the techniques and equipment used by the GIA Laboratory at the time of the examination and/or inscription. Incriptions reported in this document are not a guarantee, validation, or warranty of an article's quality, country of origin or source; or that the article will be identifiable by the inscription in the future (since inscriptions can be removed). GIA makes no representation concerning any trademark, word, or symbol which is inscribed by GIA or which is identified on this Report. The recipient of this Report may wish to consult a credentialed jeweler or gemologist about the information contained herein.



The security features in this document, including the hologram, security screen and microprint lines, in addition to those not listed, exceed document security industry guidelines.

**IMPORTANT LIMITATIONS ON BACK**  
©2007 GEMOLOGICAL INSTITUTE OF AMERICA, INC.