



# GEM TRADE LABORATORY

A DIVISION OF GIA ENTERPRISES, INC.  
A WHOLLY OWNED SUBSIDIARY OF THE NONPROFIT  
GEMOLOGICAL INSTITUTE OF AMERICA, INC.

580 FIFTH AVENUE  
NEW YORK, NY 10038-4794  
212-221-5858  
FAX: 212-575-3095

5355 ARMADA DRIVE  
CARLSBAD, CA 92008-4688  
760-803-4500  
FAX: 760-803-1214

10456358

## COLORED DIAMOND GRADING REPORT

SEP 28 1996

The Grading Report is written by a member of GIA's Gem Trade Laboratory. The Grading Report of the GIA Gem Trade Laboratory is the result of grading, testing, examination and analysis. The recipient of this Report may wish to consult a credentialed jeweler or gemologist about the importance and interrelationship of cut, color, clarity and carat weight.

The measurements and characteristics of the diamond described herein were based upon the GIA Gem Trade Laboratory 102 millimeter fully revised 1988 and 1994 color instruments, ultraviolet comparison diamonds, additional visual color comparators, standardized viewing environment and light source, ultraviolet lamps, spectroscope, polariscope, specific gravity liquids, ultraviolet-visible and infrared spectrometers, X-ray fluorescence spectrometer, gamma-ray spectroscopy systems, beta radiation scintillation detector, radiation survey meter, X-ray luminescence equipment, and ancillary instruments as necessary. Red symbols on the plotting diagram below denote internal characteristics (inclusions). Green symbols denote external characteristics (blemishes). Symbols indicate type, position and approximate size of characteristics. Details of finish are not shown. Diagram may be approximate.

- SHAPE & CUTTING STYLE ..... Measurements ..... Weight .....
- PROPORTIONS ..... Depth ..... Table ..... Girdle ..... Culet .....
- FINISH ..... Polish ..... Symmetry .....
- CLARITY GRADE .....
- COLOR ..... Origin ..... Grade .....
- Distribution ..... Fluorescence .....
- COMMENTS

**PEAR BRILLIANT**  
8.17 X 5.57 X 3.83 MM.  
1.30 CARATS

68.8 %  
55 %

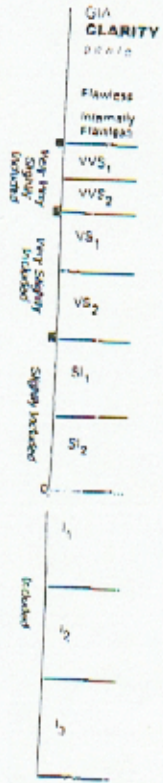
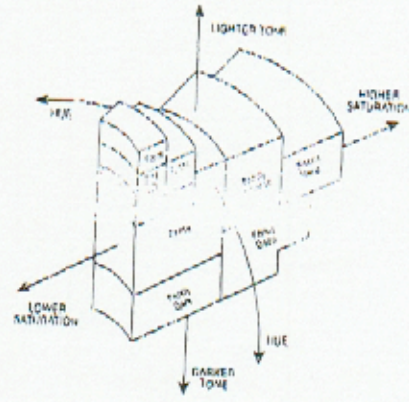
**SLIGHTLY THICK TO EXTREMELY THICK, FACETED**  
**NONE**

**GOOD**  
**GOOD**

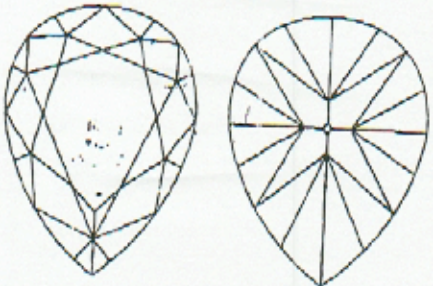
**S11**

**NATURAL**  
**FANCY INTENSE**  
**PINK**  
**EVEN**  
**STRONG BLUE**

GIA  
**COLORED DIAMOND**  
SCALE  
Generic illustration of GIA fancy color grade interrelationships



**PINPOINTS ARE NOT SHOWN.**  
**INTERNAL GRAINING IS NOT SHOWN.**



**KEY TO SYMBOLS**  
• CRYSTAL  
/ FEATHER



This diagram is an additional measure of assurance of a GIA Gem Trade Laboratory Report.

**NOTICE: IMPORTANT LIMITATIONS ON REVERSE**

GIA Gem Trade Laboratory  
Copyright 1995 GIA Gem Trade Laboratory





# GIA GEM TRADE LABORATORY

A Division of GIA Enterprises, Inc.  
A Wholly Owned Subsidiary of the Nonprofit Gemological Institute of America, Inc.

580 Fifth Avenue  
New York, New York 10036-4794  
(212) 221-5858  
FAX: (212) 575-3095

5355 Armada Drive  
Carlsbad, California 92008-4099  
(619) 603-4500  
FAX: (619) 603-1814

NOV 19 1996 **DIAMOND GRADING REPORT** 10036819

THE FOLLOWING WERE, AT THE TIME OF THE EXAMINATION, THE CHARACTERISTICS OF THE DIAMOND DESCRIBED HEREIN BASED UPON 10X MAGNIFICATION (FULLY CORRECTED TRIPLET LOUPE AND BINOCULAR MICROSCOPE), GEMMOLITE AND MASTER COLOR COMPARISON DIAMONDS, ULTRAVIOLET LAMPS, MILLIMETER GAUGE, CARAT BALANCE, PROPORTIONSCOPE, AND ANCILLARY INSTRUMENTS AS NECESSARY.

RED SYMBOLS DENOTE INTERNAL CHARACTERISTICS (INCLUSIONS), GREEN SYMBOLS DENOTE EXTERNAL CHARACTERISTICS (BLEMISHES) SYMBOLS INDICATE TYPE, POSITION AND APPROXIMATE SIZE OF CHARACTERISTICS. DETAILS OF FINISH ARE NOT SHOWN. DIAGRAM MAY BE APPROXIMATE.

### KEY TO SYMBOLS

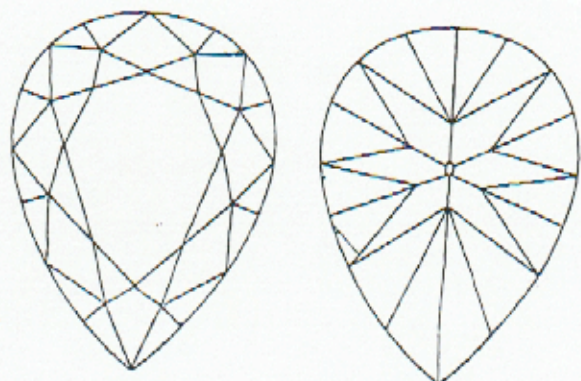
- CLOUD
- NEEDLE
- INDENTED NATURAL
- EXTRA FACET

**SHAPE AND CUTTING STYLE** ... PEAR BRILLIANT  
Measurements ... 8.47 X 5.48 X 3.51 MM.  
Weight ... 1.00 CARATS

**PROPORTIONS** ...  
Depth ... 64.1 %  
Table ... 56 %  
Girdle ... THIN TO THICK, FACETED  
Culet ... SMALL  
**FINISH**  
Polish ... GOOD  
Symmetry ... GOOD

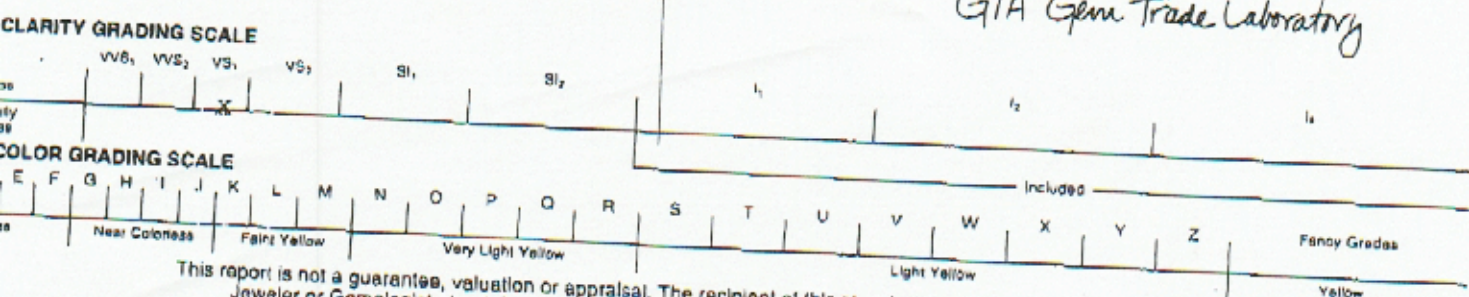
**CLARITY GRADE** ... VS1  
**COLOR GRADE** ... D  
Fluorescence ... NONE

**COMMENTS:**  
PINPOINTS ARE NOT SHOWN.



ORIGINAL

**GIA GEM TRADE LABORATORY**  
*GIA Gem Trade Laboratory*



This report is not a guarantee, valuation or appraisal. The recipient of this report may wish to consult a credentialed Jeweler or Gemologist about the importance and interrelationship of cut, color, clarity and carat weight.

**NOTICE. IMPORTANT LIMITATIONS ON REVERSE**